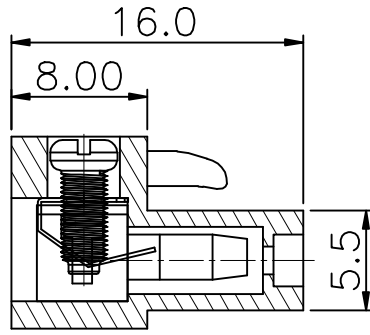
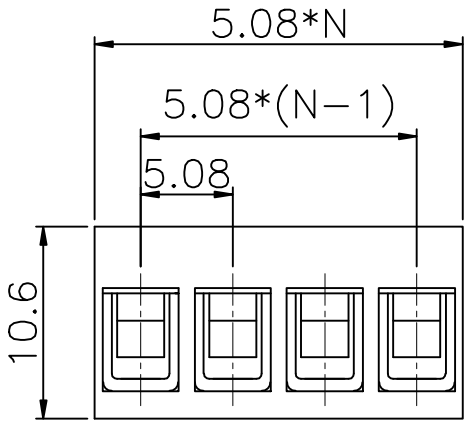
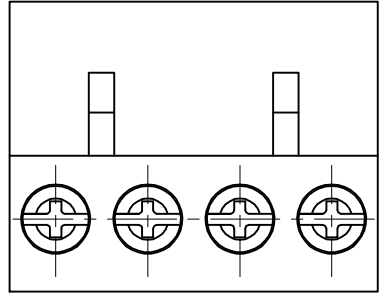


8 | 7 | 6 | 5 | 4 | 3 | 2 | 1

H
G
F
E
D
C
B
A

H
G
F
E
D
C
B
A



NOTE 1:
UL标准 (UL Standard)
 1. 额定电压与电流: 150V/12A
 Rated voltage/Rated current: 150V/12A
 2. 功频耐压: AC1500/Min
 Withstanding Voltage : AC1500V/Min
 3. 线径范围: 24-12AWG
 Wire range: 24-12AWG
IEC标准 (IEC Standard)
 额定电压与电流: 320V/20A
 Rated voltage/Rated current: 320V/20A
 2. 线径范围: 2.5mm²
 Wire range: 2.5mm²

NOTE2:
 1. 间距(Pitch): 5.08mm
 2. 使用温度范围: -40℃~+105℃
 Operating temperature: -40℃~+105℃
 3. 剥线长度: 7~8mm
 tripping length: 7~8mm
 4. 符合RoSH环保要求
 RoHS Compliance
 5. 额定扭矩: 3.6[Lb. in]
 (Rated torque): 3.6[Lb. in]
 6. 未标注公差表
 Undimensioned tolerances

Pitch range in mm		Nominal dimension range in mm				
≤6	6-10	≤30	30-60	60-100	>100	0.1/10
10-15	15-24	30-60	60-100	100-150	>150	≤
10-15	15-24	10-30	30-60	60-70	61-200	±1°

订购方式 (HOW TO ORDER)
HT508-5.08-XXP **HT-5.08-XXP-5.5-5.5-5.5-5.5-5.5-5.5-5.5**

型号 间距 线数 客户编号
 Series No. Pitch Poles Customer Request

1. 单间距 颜色(Color)
 Single Pitch 1. 灰色(Grey) 2. 蓝色(Blue)
 2. 双间距 3. 黑色(Black) 4. 绿色(Green)
 Double Pitch 5. 棕色(Brown) 6. 红色(Red)
 7. 黄色(Yellow) 8. 白色(White)
 9. 透明(Transparent)

4	(Spring) 弹片	(Stainless steel) 不锈钢	PART NO.:	宁波迈科思电子科技有限公司 NINGBO MAX ELECTRONIC TECHNOLOGY CO.,LTD
3	(Contact) 触点	(Copper alloy) 铜合金 (Ni plated) 镀镍	APPD:	
2	(Screw) 螺丝 M2.5	(Steel) 钢 (Zn plated) 镀锌	CHKD:	
1	(Housing) 罩件	PA66 UL94V-0	DRFT:	
ITEM	NAME OF PART	MATERIAL	NOTES	型号 HT508-5.08-XXP 系列 HT508-5.08 图号 HT508508001
			THIED ANGLE PROJECTION	页码 1/1 比例 1:1

8 | 7 | 6 | 5 | 4 | 3 | 2 | 1