

RoHS Compliant Customer Drawing

REV.	ECN NO.	DESCRIPTION	DATE	DESIGN

SPECIFICATION

MATERIAL

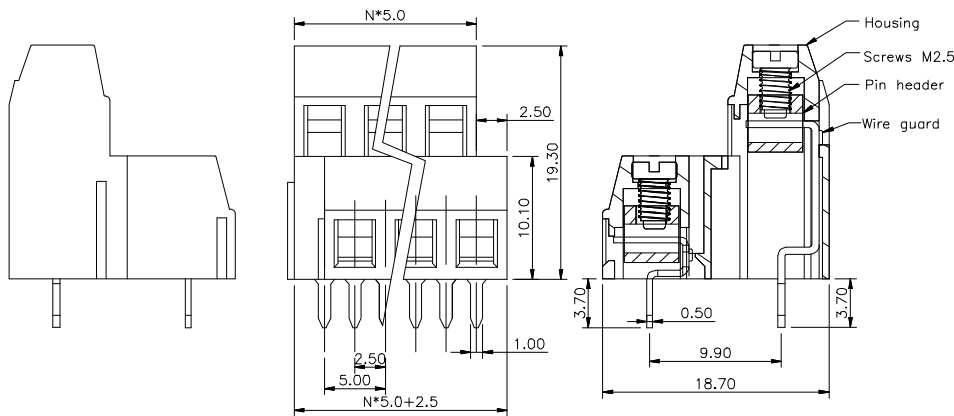
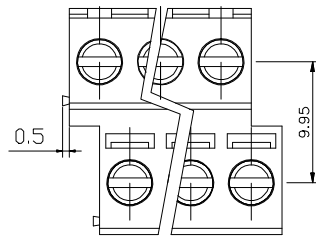
Housing:PA66,UL94V-0
 Screw:M2.5 Steel,Zinc Plated
 Terminal:Brass,Tin Plated
 Clamp:Brass,Ni Plated

ELECTRICAL

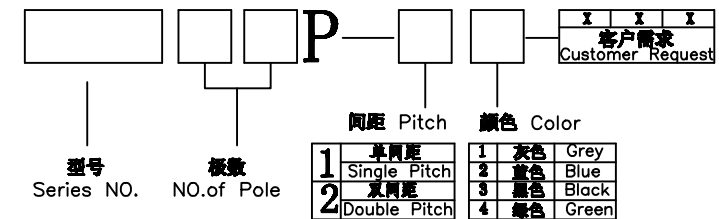
Rated voltage:300V
 Rated current: 12A
 Wire Range(AWG/MM²):26-16AWG/0.14-1.5MM²
 Withstanding voltage: AC2000V/ 1Min

MECHANICAL

Torque:0.4Nm(3.5Lb-In.)
 Strip Length:6mm
 Operating Temperature:-40°C~+105°C



订购方式/HOW TO ORDER



CONTACT WITH US:

TEL:+86-574-63505128 FAX:+86-574-63532183

E-Mail:sales@nbmax.com.cn Website:www.nbmax.com.cn

N=No. of contacts

公差一览表				宁波迈科思电子科技有限公司 NINGBO MIK ELECTRONIC TECHNOLOGY CO.,LTD					
TOLERANCE UNLESS OTHERWISE				单位	制图	陈冬梅	产品名称	MX127A-5.0	
X.	±0.25	X*	±5*	mm	角法	顾兴伟 <td>MX127A-5.0</td> <td colspan="2"></td>	MX127A-5.0		
.X	±0.20	.X*	±2*	角法	设计		MX127A-5.0		
.XX	±0.15	.XX*	±1*	比例	审核		MX127A-5.0		
.XXX	±0.02	.XXX*	±0.5*	日期	批准		MX127-5.0-0A		
DATE	2012. 07. 10			版本	A0		图号	MX127-5.0-0A	
				UNITS	mm		PART NO.		
				VIEW	1:1		DRAW NO.		
				SCALE					