

8 7 6 5 4 3 2 1

REVISION RECORD				
REV	ECN.	DESCRIPTION	DRFT	DATE

NOTE 1:
UL标准 (UL Standard)
 1. 额定电压与电流: 300V/10A
 Rated voltage/Rated current: 300V/10A
 2. 功率耐压: AC1600V/Min
 Withstanding Voltage: AC2000V/Min
 3. 线径范围: 30~12AWG
 Wire range: 30~12AWG
IEC标准 (IEC Standard)
 1. 额定电压与电流: 250V/18A
 Rated voltage/Rated current: 250V/18A
 2. 线径范围: 2.5mm²
 Wire range: 2.5mm²

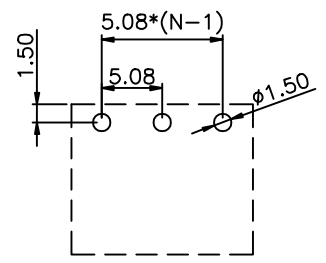
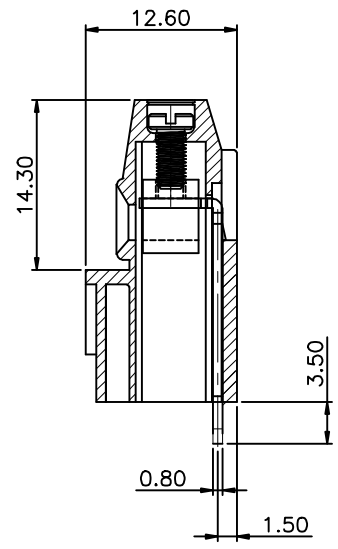
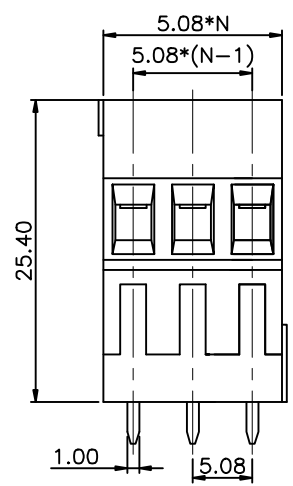
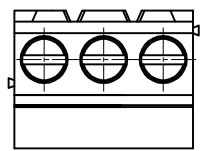
NOTE 2:
 1. 间距 (Pitch): 5.08mm
 2. 使用温度范围: -40°C~+105°C
 Operating temperature: -40°C~+105°C
 3. 剥线长度: 6~7mm
 Stripping length: 6~7mm
 4. 符合RoSE环保要求
 RoHS Compliance
 5. 额定扭矩: 0.4N.m 3.54[Lb. in]
 (Rated torque): 0.4N.m 3.54[Lb. in]
 6. 未标注公差表
 Undimensioned tolerances

螺距公差表 (mm)		标称尺寸公差表 (mm)						D	E
Pitch range in mm		Nominal dimension range in mm							
≤6	6 ~ 10	10 ~ 24	≤30	30 ~ 60	60 ~ 100	100 ~ 150	> 150	0.1/10	
±0.15	±0.20	±0.30	±0.20	±0.30	±0.50	±0.70	±1.00	±1*	

订购方式 (HOW TO ORDER)
MX128G - 5.08 - □□P - □ - □ - □□□□

型号 间距 极数 客户型号
 Series NO. Pitch Poles Customer Request

颜色 (Color)
 1. 灰色 (Gray) 2. 蓝色 (Blue)
 3. 黑色 (Black) 4. 绿色 (Green)
 5. 橙色 (Orange) 6. 红色 (Red)
 7. 黄色 (Yellow) 8. 白色 (White)
 9. 透明 (Transparent)



PCB LAYOUT

4	(Cage) 方盒	(Copper alloy) 铜合金	(Ni plated) 镀镍	PART NO.:	/
3	(Contact) 触点	(Copper alloy) 铜合金	(Sn plated) 镀锡	APPD:	/
2	(Screw) 螺丝 M3	(Steel) 钢	(Ni plated) 镀镍	CHKD:	/
1	(Housing) 罩件	PA66	UL94V-0	DRFT:	/
ITEM	NAME OF PART	MATERIAL	NOTES	THIRD ANGLE PROJECTION	


宁波迈科思电子科技有限公司
 NINGBO MAX ELECTRONIC TECHNOLOGY CO.,LTD

型号	MX128G-5.08-XXP	
系列	MX128G-5.08	页码 1/1
图号	MX128G508001	比例 1:1

8 7 6 5 4 3 2 1