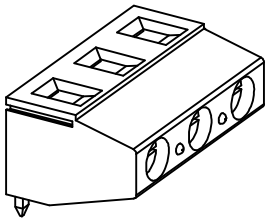


RoHS Compliant Customer Drawing

REV.	ECN NO.	DESCRIPTION	DATE	DESIGN

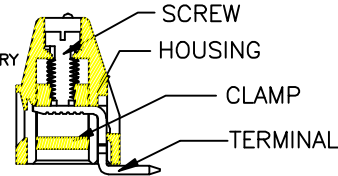
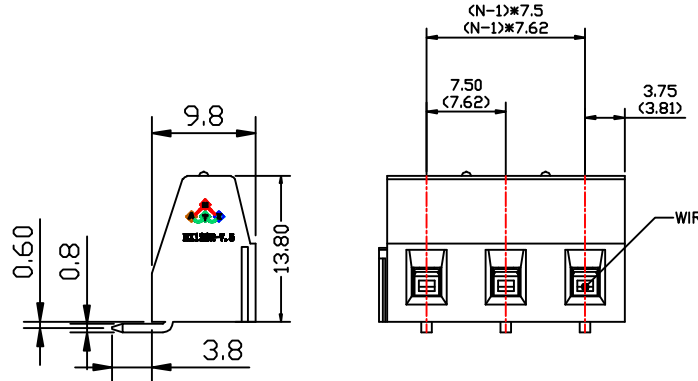


SPECIFICATION

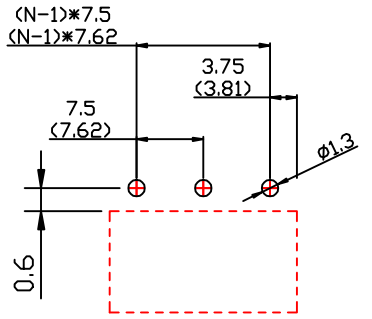
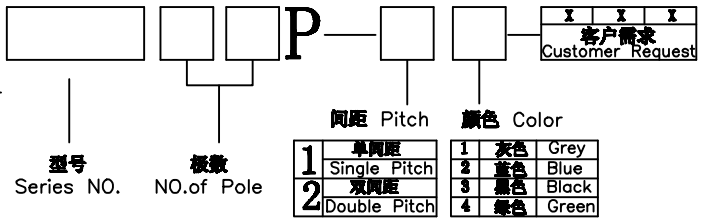
MATERIAL
 Housing:PA66,UL94V-0
 Screw:M2.5 Steel ,Zinc Plated
 Terminal:Brass,Tin Plated
 Clamp:Brass,Ni Plated

ELECTRICAL
 Rated voltage:300V
 Rated current: 15A
 Wire Range(AWG/MMF):26-14AWG/0.14-2.5MMF
 Withstanding voltage: AC2500V/ 1Min

MECHANICAL
 Torque:0.4Nm(3.5Lb-In.)
 Strip Length:7mm
 Operating Temperature:-40°C~+105°C



订购方式/HOW TO ORDER



N=No. of contacts

CONTACT WITH US:
 TEL:+86-574-63505128 FAX:+86-574-63532183
 E-Mail:sales@nbmax.com.cn Website:www.nbmax.com.cn

公差一览表				宁波迈科思电子科技有限公司 NINGBO MKX ELECTRONIC TECHNOLOGY CO.,LTD			
TOLERANCE UNLESS OTHERWISE				单位	制图	陈冬梅	产品名称
X.	±0.25	X*	±5°	UNITS	mm	陈冬梅	MX128R-7.5/7.62
.X	±0.20	.X*	±2°	角法	设计	顾兴伟	MX128R-7.5/7.62
.XX	±0.15	.XX*	±1°	VIEW	SCALE		MX128R-7.5/7.62
.XXX	±0.02	.XXX*	±0.5°	比例	1:1		MX128R-7.5-A0
日期	2012.07.10	版本	A0	DATE	APPD		