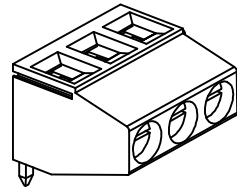


RoHS Compliant Customer Drawing

REV.	ECN NO.	DESCRIPTION	DATE	DESIGN

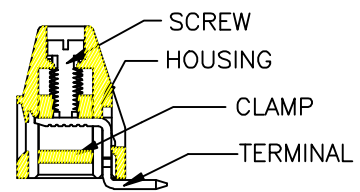
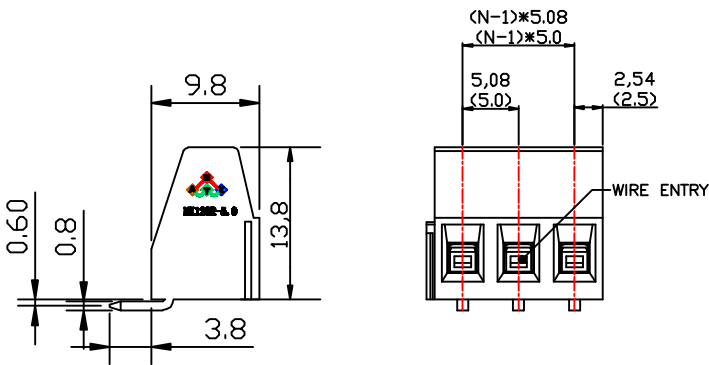


SPECIFICATION

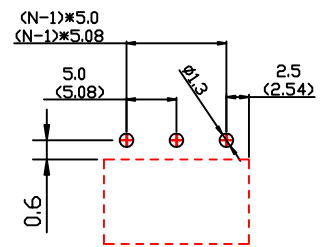
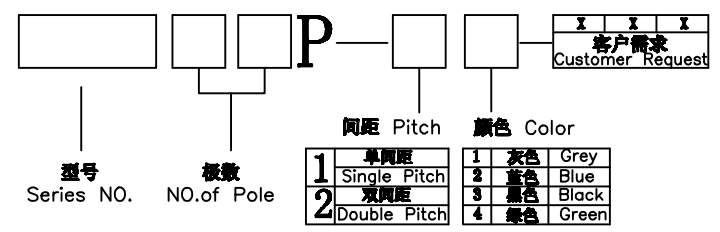
MATERIAL
 Housing:PA66,UL94V-0
 Screw:M2.5 Steel ,Zinc Plated
 Terminal:Brass,Tin Plated
 Clamp:Brass,Ni Plated

ELECTRICAL
 Rated voltage:300V
 Rated current: 15A
 Wire Range(AWG/MM²):26-14AWG/0.14-2.5MM²
 Withstanding voltage: AC2500V/ 1Min

MECHANICAL
 Torque:0.4Nm(3.5Lb-In.)
 Strip Length:7mm
 Operating Temperature:-40°C~+105°C



订购方式/HOW TO ORDER



PCB LAYOUT(RECOMMENDED)

N=No.of contacts

CONTACT WITH US:
 TEL:+86-574-63505128 FAX:+86-574-63532183
 E-Mail:sales@nbmax.com.cn Website:www.nbmax.com.cn

公差一览表				宁波迈科思电子科技有限公司					
TOLERANCE UNLESS OTHERWISE				NINGBO MKX ELECTRONIC TECHNOLOGY CO.,LTD					
X.	±0.25	X*	±5*	单位 UNITS	mm	制图 DRAWING	陈冬梅	产品名称 TITLE	MX128R-5.0/5.08
.X	±0.20	.X*	±2*	角法 VIEW	第一角法	设计 DESIGN	顾兴伟	产品料号 PART NO.	MX128R-5.0/5.08
.XX	±0.15	.XX*	±1*	比例 SCALES	1:1	审核 CHECK		图号 DRAW NO.	MX128R-5.0-A0
.XXX	±0.02	.XXX*	±0.5*	日期 DATE	2012. 07. 10	版本 VER	A0	核准 APPD	