

RoHS Compliant Customer Drawing

REV.	ECN NO.	DESCRIPTION	DATE	DESIGN

SPECIFICATION

MATERIAL

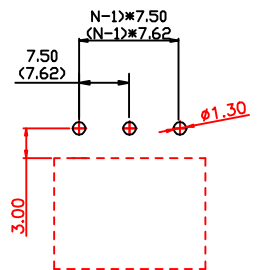
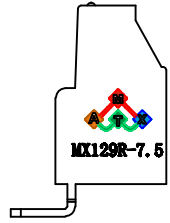
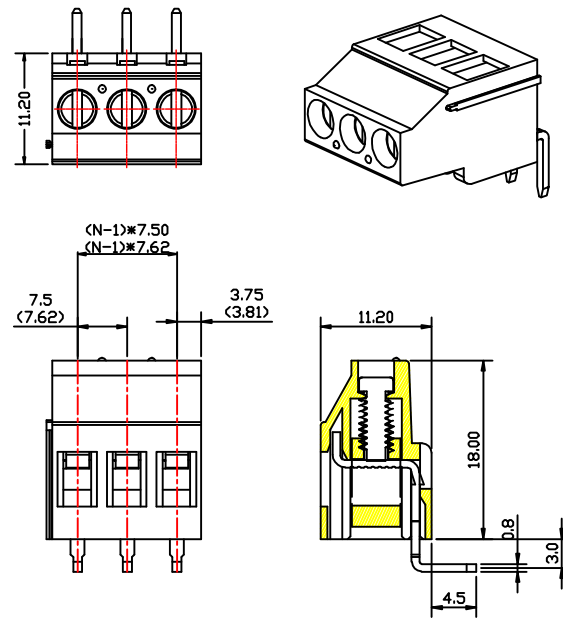
Housing:PA66,UL94V-0
 Screw:M3 Steel,Zinc Plated
 Terminal:Brass,Tin Plated
 Clamp:Brass,Ni Plated

ELECTRICAL

Rated voltage:300V
 Rated current: 20A
 Wire Range(AWG/MM²):24-12AWG/0.2-4MM²
 Withstanding voltage: AC2000V/ 1Min

MECHANICAL

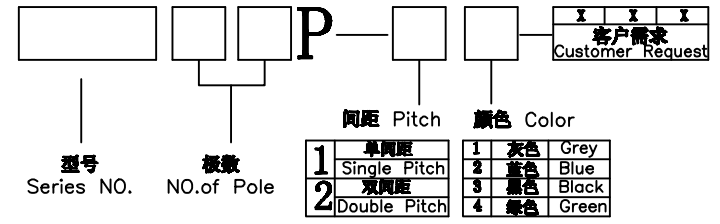
Torque:0.5Nm(4.4Lb-In.)
 Strip Length:7mm
 Operating Temperature:-40°C~+105°C



PCB LAYOUT(RECOMMENDED)

N=No.of contacts

订购方式/HOW TO ORDER



CONTACT WITH US:

TEL:+86-574-63505128 FAX:+86-574-63532183
 E-Mail:sales@nbmax.com.cn Website:www.nbmax.com.cn

公差一览表				NINGBO MKX ELECTRONIC TECHNOLOGY CO.,LTD					
TOLERANCE UNLESS OTHERWISE				NINGBO MKX ELECTRONIC TECHNOLOGY CO.,LTD					
X.	±0.25	X*	±5*	单位	mm	制图	陈冬梅	产品名称	MX129R-7.5/7.62
.X	±0.20	.X*	±2*	UNITS		DRAWING		TITLE	
.XX	±0.15	.XX*	±1*	角法	⊕ ⊖	设计	顾兴伟	产品料号	MX129R-7.5/7.62
.XXX	±0.02	.XXX*	±0.5*	VIEW		DESIGN		PART NO.	
日期	2012.07.10			比例	1:1	审核		图号	MX129R-7.5-0A
DATE				SCALE		CHEK		DRAW NO.	
				版本	A0	核准			
				VER		APPD			