

REV	ECN.	DESCRIPTION	DRFT	DATE

2 REVISION RECORD

NOTE 1:  
UL标准 (UL Standard)

- 额定电压/额定电流: 300V/20A  
Rated voltage/Rated current: 300V/20A
- 冲击耐压: AC1600V/1min  
Withstanding Voltage: AC1600V/1min
- 线径范围: 28~12AWG  
Wire range: 28~12AWG

IEC标准 (IEC Standard)

- 额定电压/额定电流: 250V/20A  
Rated voltage/Rated current: 250V/20A
- 线径范围: 2.5mm<sup>2</sup>  
Wire range: 2.5mm<sup>2</sup>

NOTE 2:

- 间距 (Pitch): 5.08mm
- 使用温度范围: -40℃~+105℃  
Operating temperature: -40℃~+105℃
- 引线长度: 6~7mm  
Striping length: 6~7mm
- 符合RoHS指令要求  
RoHS Compliance
- 额定扭矩: 0.8N.m 4.48 [In]    4.48 [In]    0.8 [In]    4.48 [In]    0.8 [In]
- 未标注公差按  
Unlaminated tolerances

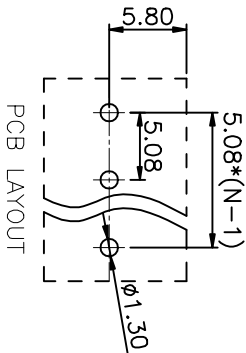
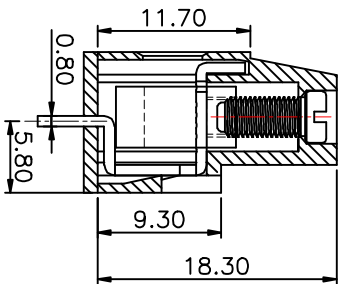
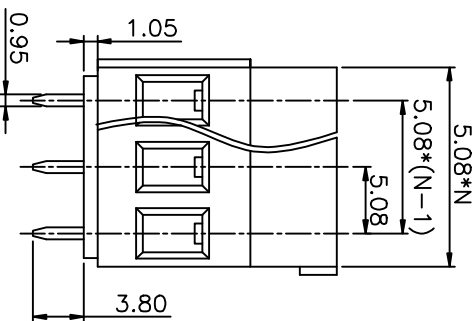
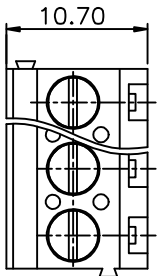
间距/线径范围 (mm)	间距/线径范围 (mm)	间距/线径范围 (mm)	间距/线径范围 (mm)	间距/线径范围 (mm)	间距/线径范围 (mm)	间距/线径范围 (mm)	间距/线径范围 (mm)
≤6	6 ~ 10	10 ~ 24	≤30	30 ~ 60	60 ~ 100	100 ~ 150	≥150
+0.15 / +0.20	+0.20	+0.20	+0.20	+0.20	+0.20	+0.20	+1.00
							±1%

订购方式 (HOW TO ORDER)

MX129V-C-5.08-□□□□□□□□□□□□

型号 间距 线数 客户型号  
Series No. Pitch Poles Customer Request

- 单间距 Single Pitch
- 双间距 Double Pitch
- 颜色 (Color)
- 灰色 (Grey)
- 黑色 (Black)
- 蓝色 (Blue)
- 黄色 (Orange)
- 红色 (Red)
- 黄色 (Yellow)
- 白色 (White)
- 透明 (Transparent)



4	(Cage) 方盒 (Contact) 触点	(Copper alloy) 铜合金	(Ni plated) 镀镍	PART NO.:	/
3	(Screw) 螺丝 螺	(Copper alloy) 铜合金	(Sn plated) 镀锡	APPD:	/
2	(Housing) 罩件	(Steel) 钢	(Ni plated) 镀镍	CHKD:	/
1	NAME OF PART	PA66	UL94V-0	DRFT:	/
ITEM	MATERIAL	NOTES	THIRD ANGLE PROJECTION		



宁波迈科思电子科技有限公司

NINGBO MAX ELECTRONIC TECHNOLOGY CO.,LTD

型号 MX129V-C-5.08-XXXP

系列 MX129V-C-5.08

图号 MX129S08001

页码 1/1

比例 1:1