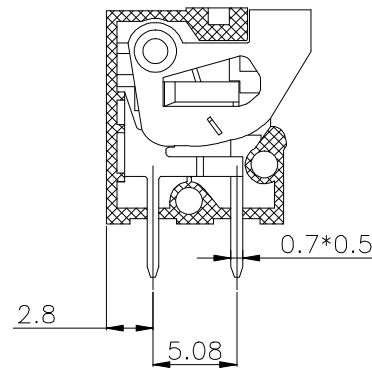
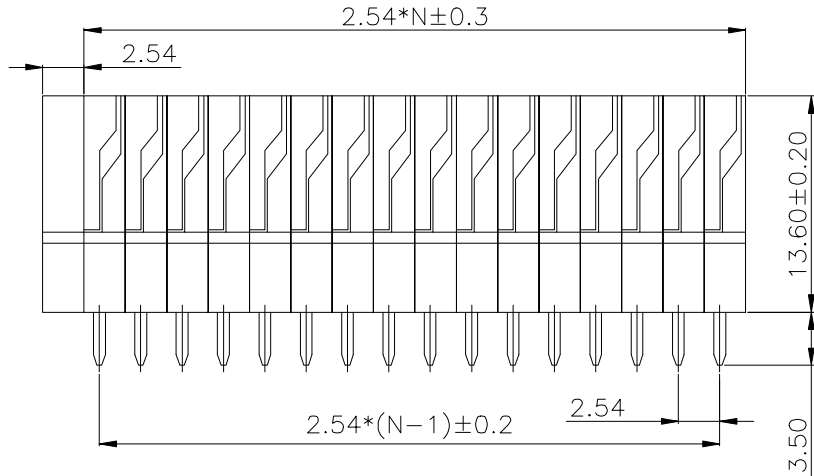


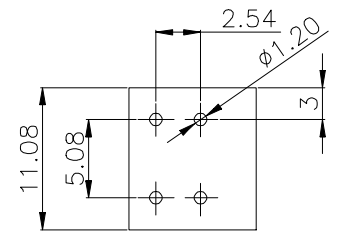
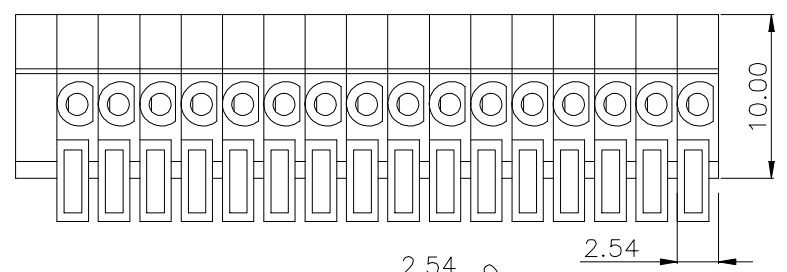
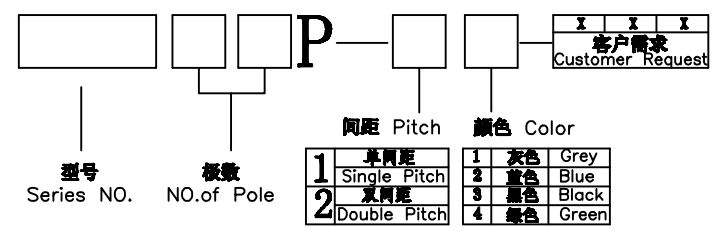
RoHS Compliant Customer Drawing

REV.	ECN NO.	DESCRIPTION	DATE	DESIGN



- MATERIAL  
WIRE GUARD: STAINLESS STEEL(SUB301)  
PIN HEADER : BRASS, TIN PLATED  
HOUSING : PA66, UL94V-0
- ELECTRICAL  
RATED VOLTAGE : 150V  
RATED CURRENT : 2A  
CONTACT RESISTANCE : 20mΩ  
INSULATION RESISTANCE : 5000MΩ/1000V  
WITHSTANDING VOLTAGE : AC2000V/1Min  
WIRE RANGE: 26-20AWG 0.5mm<sup>2</sup>
- MECHANICAL  
TEMP.RANGE : -40℃~+105℃  
MAX SOLDERING : +250℃, FOR 5 SEC.  
STRIP LENGTH: 11mm

订购方式/HOW TO ORDER



P.C.B.LAYOUT

N=No. of contacts

CONTACT WITH US:  
 TEL:+86-574-63505128 FAX:+86-574-63532183  
 E-Mail:sales@nbmax.com.cn Website:www.nbmax.com.cn

公差一览表 TOLERANCE UNLESS OTHERWISE				宁波迈科思电子科技有限公司 NINGBO MIK ELECTRONIC TECHNOLOGY CO.,LTD					
X.	±0.25	X°.	±5°	单位 UNITS	mm	制图 DRAWING	陈冬梅	产品名称 TITLE	MX141V-2.54
.X	±0.20	.X°	±2°	角法 VIEW		设计 DESIGN	顾兴伟	产品序号 PART NO.	MX141V-2.54
.XX	±0.15	.XX°	±1°	比例 SCALE	1:1	审核 CHKD		图号 DRAW NO.	MX141V-2.54--0A
.XXX	±0.02	.XXX°	±0.5°	日期 DATE	2012.07.10	版本 VER	A0		