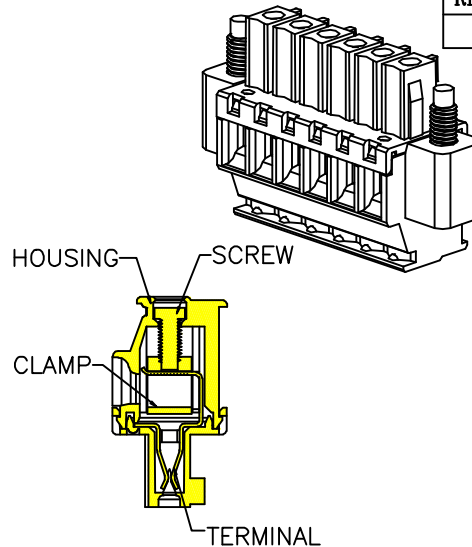
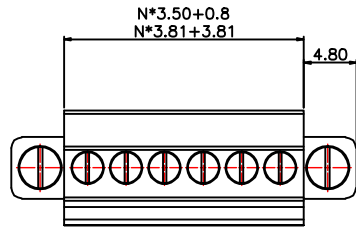


RoHS Compliant Customer Drawing

REV.	ECN NO.	DESCRIPTION	DATE	DESIGN



**SPECIFICATION**

**MATERIAL**

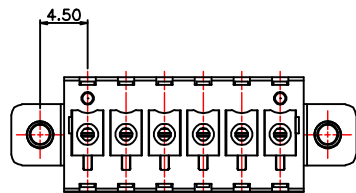
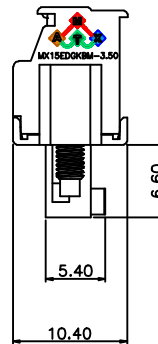
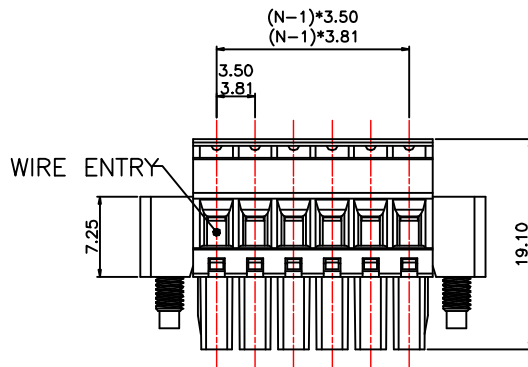
Housing:PA66,UL94V-0  
 Screw:M2 Steel,Zinc Plated  
 Terminal:Phosphor Bronze,Tin Plated  
 Clamp:Brass,Ni Plated

**ELECTRICAL**

Rated voltage:300V  
 Rated current: 8A  
 Wire Range(AWG/MM<sup>2</sup>):28-16AWG/0.5-1.5MM<sup>2</sup>  
 Withstanding voltage: AC2000V/ 1Min

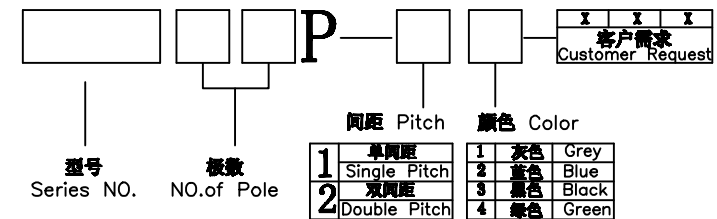
**MECHANICAL**

Torque:0.2Nm(1.7Lb-In.)  
 Strip Length:7mm  
 Operating Temperature:-40°C~+105°C



N=No.of contacts

**订购方式/HOW TO ORDER**



CONTACT WITH US:

TEL:+86-574-63505128 FAX:+86-574-63532183

E-Mail:sales@nbmax.com.cn Website:www.nbmax.com.cn

公差一览表				宁波迈科思电子科技有限公司 NINGBO MKX ELECTRONIC TECHNOLOGY CO.,LTD			
TOLERANCE UNLESS OTHERWISE				单位	制图	陈冬梅	产品名称
X.	±0.25	X*	±5*	UNITS	mm	陈冬梅	MX15EDGKBM-3.50
.X	±0.20	.X*	±2*	角法	设计	顾兴伟	MX15EDGKBM-3.50
.XX	±0.15	.XX*	±1*	VIEW	设计		MX15EDGKBM-3.50
.XXX	±0.02	.XXX*	±0.5*	比例	1:1		MX15EDGKBM-3.50
日期	2012.07.10	版本	A0	SCALE	1:1		MX15EDGKBM-3.50-A0
DATE		VER		APPD			DRAW NO.