

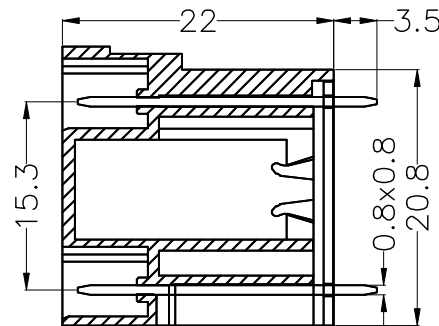
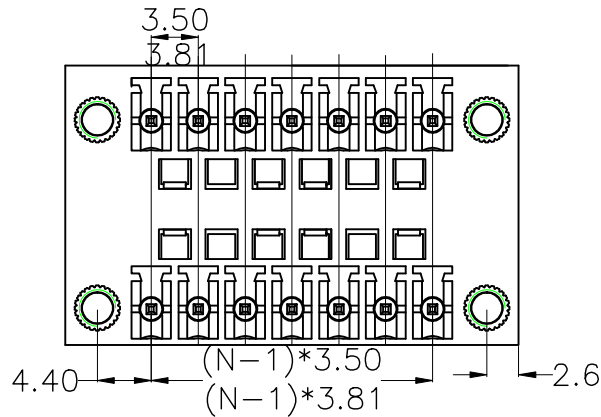
RoHS Compliant Customer Drawing

REV.	ECN NO.	DESCRIPTION	DATE	DESIGN

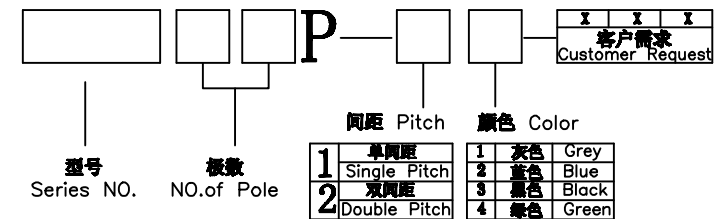
·材质及电镀(Material)  
 焊针(Pin header):黄铜,镀锡(Brass,Tin plated)  
 塑件(Housing): PA66, UL94V-0

·电气性能(Electrical)  
 额定电压(Rated Voltage): 300V  
 额定电流(Rated Current): 8A  
 接触电阻(Contact Resistance): 20mΩ  
 绝缘电阻(Insulation Resistance): 5000MΩ/1000V  
 耐电压(Withstanding Voltage): AC1500V/1Min

·机械性能(Mechanical)  
 温度范围(Temperature Range): -40℃~+105℃  
 瞬时温度(MAX Soldering): +250℃, 5秒(5 Seconds)



订购方式/HOW TO ORDER



CONTACT WITH US:  
 TEL:+86-574-63505128 FAX:+86-574-63532183  
 E-Mail:sales@nbmax.com.cn Website:www.nbmax.com.cn

公差一览表 TOLERANCE UNLESS OTHERWISE				宁波迈科思电子科技有限公司 NINGBO MKX ELECTRONIC TECHNOLOGY CO.,LTD					
X.	±0.25	X*	±5°	单位 UNITS	mm	制图 DRAWING	陈冬梅	产品名称 TITLE	MX15EDGVHM-3.5/3.81
.X	±0.20	.X*	±2°	角法 VIEW		设计 DESIGN	顾兴伟	产品料号 PART NO.	MX15EDGVHM-3.5/3.81
.XX	±0.15	.XX*	±1°	比例 SCALE	1:1	审核 CHKD		图号 DRAW NO.	MX15EDGVHM-0A
.XXX	±0.02	.XXX*	±0.5°	日期 DATE	2012.07.10	版本 VER	A0	批准 APPD	

N=No. of contacts