

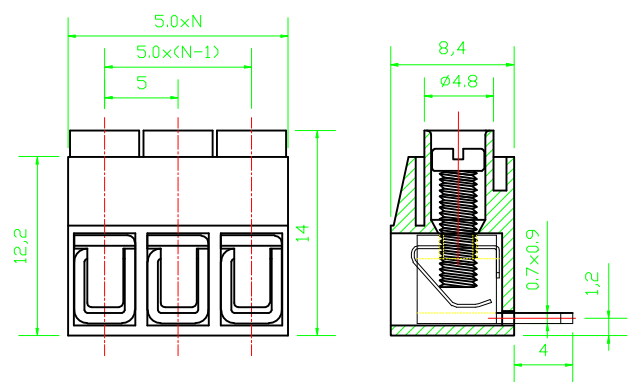
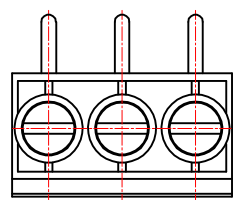
RoHS Compliant Customer Drawing

| REV. | ECN NO. | DESCRIPTION | DATE | DESIGN |
|------|---------|-------------|------|--------|
|      |         |             |      |        |

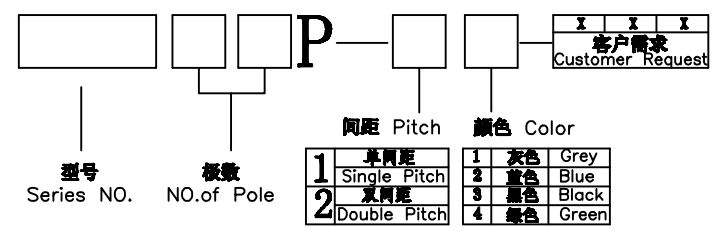
**材质及电镀 (Material)**  
 线圈 (Coil): 32.5, 铜线圈 (steel, Ni Plated)  
 弹片 (Wire Protection): 磷青铜, 镀锡或不镀锡 (Phosphor bronze, Ni plated or stainless steel)  
 焊片 (Tin leader): 黄铜, 镀锡 (Brass, Tin plated)  
 零件 (Fastening): PA66, UL94V-0

**电气性能 (Electrical)**  
 额定电压 (Rated Voltage): 300V  
 额定电流 (Rated Current): 15A  
 接触电阻 (Contact Resistance): 20mΩ  
 绝缘电阻 (Insulation Resistance): 500MΩ/1000V  
 耐压 (Withstanding Voltage): AC1500V/1Min  
 使用频率 (Use Range): 22-12AWG 0.5-2.5mm<sup>2</sup>

**机械性能 (Mechanical)**  
 温度范围 (Temperature Range): -40℃~+105℃  
 焊接温度 (MAX Soldering): +230℃, 5秒 (5 Seconds)  
 扭矩 (Torque): 0.4Nm (3.6lb.in)  
 引脚长度 (Strip length): 6-7mm



订购方式/HOW TO ORDER



CONTACT WITH US:  
 TEL:+86-574-63505128 FAX:+86-574-63532183  
 E-Mail:sales@nbmax.com.cn Website:www.nbmax.com.cn

N=No.of contacts

| 公差一览表<br>TOLERANCE UNLESS OTHERWISE |       |       |       | 宁波迈科思电子科技有限公司<br>NINGBO MIK ELECTRONIC TECHNOLOGY CO.,LTD |            |               |     |                  |               |
|-------------------------------------|-------|-------|-------|---|------------|---------------|-----|------------------|---------------|
| X.                                  | ±0.25 | X°    | ±5°   | 单位<br>UNITS   | mm         | 制图<br>DRAWING | 陈冬梅 | 产品名称<br>TITLE    | MX167R-5.0    |
| .X                                  | ±0.20 | .X°   | ±2°   | 角法<br>VIEW  |            | 设计<br>DESIGN  | 顾兴伟 | 产品料号<br>PART NO. | MX167R-5.0    |
| .XX                                 | ±0.15 | .XX°  | ±1°   | 比例<br>SCALE   | 1:1        | 审核<br>CHECK   |     | 图号<br>DRAW NO.   | MX167R-5.0-0A |
| .XXX                                | ±0.02 | .XXX° | ±0.5° | 日期<br>DATE  | 2012.07.10 | 版本<br>VER     | A0  | 核准<br>APPD       |               |