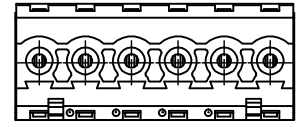
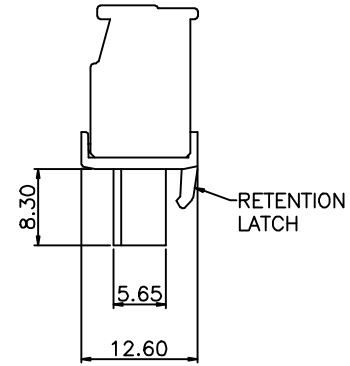
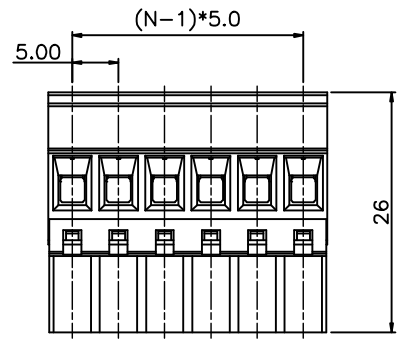
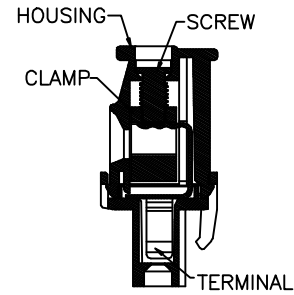
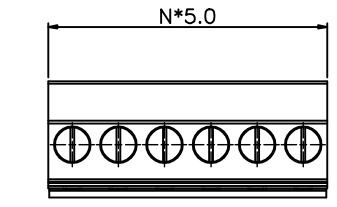


8 7 6 5 4 3 2 1

REVISION RECORD				
REV	ECN.	DESCRIPTION	DRFT	DATE



NOTE 1:
UL标准 (UL Standard)
 1. 额定电压与电流: 300V/15A
 Rated voltage/Rated current: 300V/15A
 2. 功率耐压: AC1600V/Min
 Withstanding Voltage: AC1600V/Min
 3. 线径范围: 28~12AWG
 Wire range: 28~12AWG
IEC标准 (IEC Standard)
 1. 额定电压与电流: 320V/10A
 Rated voltage/Rated current: 320V/10A
 2. 线径范围: 2.5mm²
 Wire range: 2.5mm²

NOTE 2:
 1. 间距 (Pitch): 5.00mm
 2. 使用温度范围: -40℃~+105℃
 Operating temperature: -40℃~+105℃
 3. 剥线长度: 7~8mm
 Stripping length: 7~8mm
 4. 符合RoSE环保要求
 RoHS Compliance
 5. 额定扭矩: 0.4N.m 3.54[Lb. in]
 (Rated torque): 0.4N.m 3.54[Lb. in]
 6. 未标注公差表
 Undimensioned tolerances

理方公差 (mm) Pitch range in mm			未标注公差 (mm) Nominal dimension range in mm				0.1/10
≤6	6 ~ 10	10 ~ 24	≤30	30 ~ 60	60 ~ 100	100 ~ 150	> 150
±0.15	±0.20	±0.30	±0.20	±0.30	±0.50	±0.70	±1.0

订购方式 (HOW TO ORDER)
 MX2EDGKB-5.00 P - - - - -

型号 间距 极数 客户型号
 Series NO. Pitch Poles Customer Request

颜色 (Color)
 1. 灰色 (Gray) 2. 蓝色 (Blue)
 3. 黑色 (Black) 4. 绿色 (Green)
 5. 橙色 (Orange) 6. 红色 (Red)
 7. 黄色 (Yellow) 8. 白色 (White)
 9. 透明 (Transparent)

4	(Cage) 方盒	(Copper alloy) 铜合金	(Ni plated) 镀镍
3	(Contact) 触点	(Copper alloy) 铜合金	(Ni plated) 镀镍
2	(Screw) 螺丝 M3	(Steel) 钢	(Zn plated) 镀锌
1	(Housing) 罩件	PA66	UL94V-0
ITEM	NAME OF PART	MATERIAL	NOTES

PART NO.: /
 APPD: /
 CHKD: /
 DRFT: /

THIRD ANGLE PROJECTION

 **宁波迈科思电子科技有限公司**
 NINGBO MAX ELECTRONIC TECHNOLOGY CO.,LTD

型号 MX2EDGKB-5.00-XXP

系列	MX2EDGKB-5.00	页码	1/1
图号	MX2EDGKB500001	比例	1:1

8 7 6 5 4 3 2 1