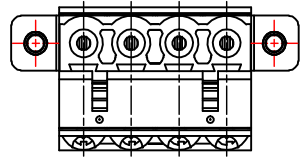
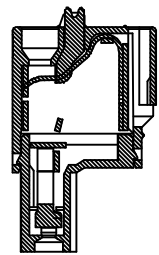
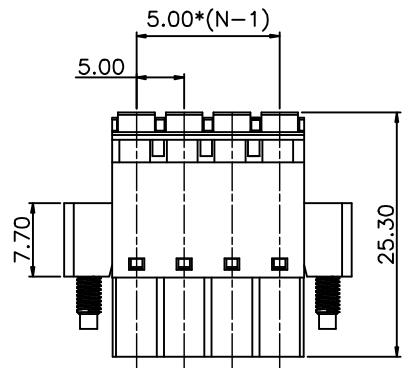
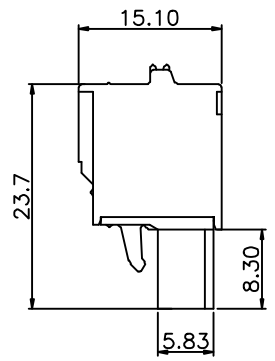
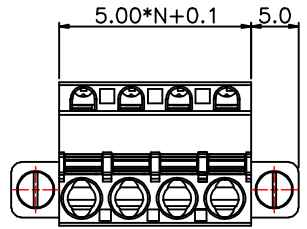


8 7 6 5 4 3 2 1

REVISION RECORD				
REV	ECN.	DESCRIPTION	DRFT	DATE



NOTE 1:

UL标准 (UL Standard)

1. 额定电压与电流: 300V/15A
Rated voltage/Rated current: 300V/15A
2. 功率耐压: AC1600V/Min
Withstanding Voltage: AC1600V/Min
3. 线径范围: 26~12AWG
Wire range: 26~12AWG

IEC标准 (IEC Standard)

1. 额定电压与电流: 320V/20A
Rated voltage/Rated current: 320V/20A
2. 线径范围: 0.5~2.5 mm²
Wire range: 0.5~2.5 mm²

NOTE 2:

1. 间距 (Pitch): 5.00mm
2. 使用温度范围: -40℃~+105℃
Operating temperature: -40℃~+105℃
3. 剥线长度: 9~10mm
Stripping length: 9~10mm
4. 符合RoHS环保要求
RoHS Compliance
5. 未标注公差表
Undimensioned tolerances

螺距方向公差 (mm)		其他尺寸公差 (mm)			
Pitch range in mm		Nominal dimension range in mm			
≤6	6 ~ 10	10 ~ 24	≤30	30 ~ 60	60 ~ 100
±0.15	±0.20	±0.30	±0.20	±0.30	±0.50
				±0.70	±1.00
					±1°

订购方式 (HOW TO ORDER)

MX2EDGKDM-5.00 □ □ P □ - □ - □ □ □ □

- | | | | |
|------------------|-------------|-------------|------------------------------|
| 型号
Series NO. | 间距
Pitch | 极数
Poles | 客户型号
Customer Request |
| | | | 颜色 (Color) |
| | | | 1. 灰色 (Gray) 2. 蓝色 (Blue) |
| | | | 3. 黑色 (Black) 4. 绿色 (Green) |
| | | | 5. 橙色 (Orange) 6. 红色 (Red) |
| | | | 7. 黄色 (Yellow) 8. 白色 (White) |
| | | | 9. 透明 (Transparent) |

3	(Spring) 弹片	(Stainless steel) 不锈钢	
2	(Contact) 触点	(Copper alloy) 铜合金 (Ni plated) 镀镍	
1	(Housing) 罩件	PA66	UL94V-0
ITEM	NAME OF PART	MATERIAL	NOTES

PART NO.:	/
APPD:	/
CHKD:	/
DRFT:	/
THIRD ANGLE PROJECTION	

宁波迈科思电子科技有限公司
 NINGBO MAX ELECTRONIC TECHNOLOGY CO.,LTD

型号	MX2EDGKDM-5.00-XXP
系列	MX2EDGKDM-5.00
图号	MX2EDGKDM500001
页码	1/1
比例	1:1

8 7 6 5 4 3 2 1