

RoHS Compliant Customer Drawing

REV.	ECN NO.	DESCRIPTION	DATE	DESIGN

SPECIFICATION

MATERIAL

Housing: PA66, UL94V-0

Pin Header: Brass, Tin Plated

ELECTRICAL

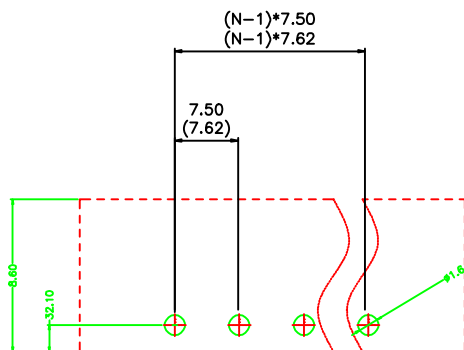
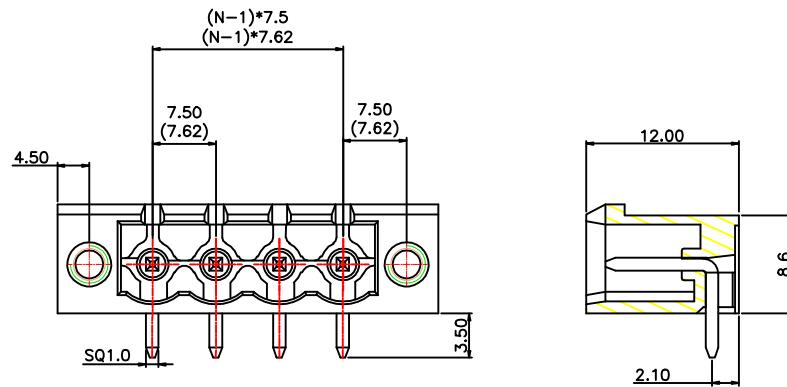
Rated voltage: 300V

Rated current: 15A

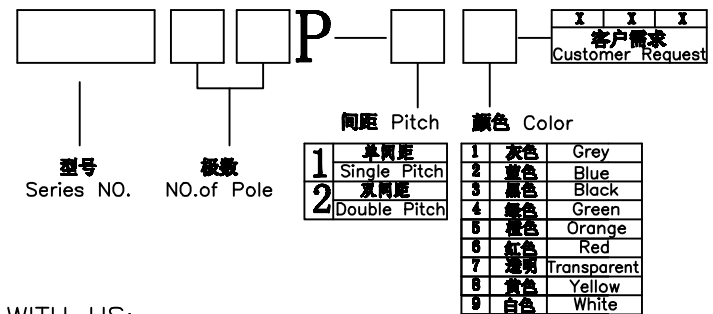
Withstanding voltage: AC4000V/ 1Min

MECHANICAL

Operating Temperature: -40°C~+105°C



订购方式/ HOW TO ORDER



CONTACT WITH US:

TEL: +86-574-63505128 FAX: +86-574-63532183

E-Mail: sales@nbmax.com.cn Website: www.nbmax.com.cn

N = No. of contacts

公差一览表				宁波迈科思电子科技有限公司 NINGBO MIK ELECTRONIC TECHNOLOGY CO.,LTD			
TOLERANCE UNLESS OTHERWISE				单位 UNITS	制图 DRAWING	设计 DESIGN	产品名称 TITLE
X.	±0.25	X°.	±5°	mm	陈冬梅	顾兴伟	MX2EDGRM-7.5/7.62
.X	±0.20	.X°	±2°	角法 VIEW			
.XX	±0.15	.XX°	±1°	比例 SCALES	1:1		产品料号 PART NO.
.XXX	±0.02	.XXX°	±0.5°	版本 VER	A0		MX2EDGRM-7.5/7.62
日期 DATE	2012. 07. 10			核准 APPD			图号 DRAW NO.
							MX2EDGRM-7.5-0A