

RoHS Compliant Customer Drawing

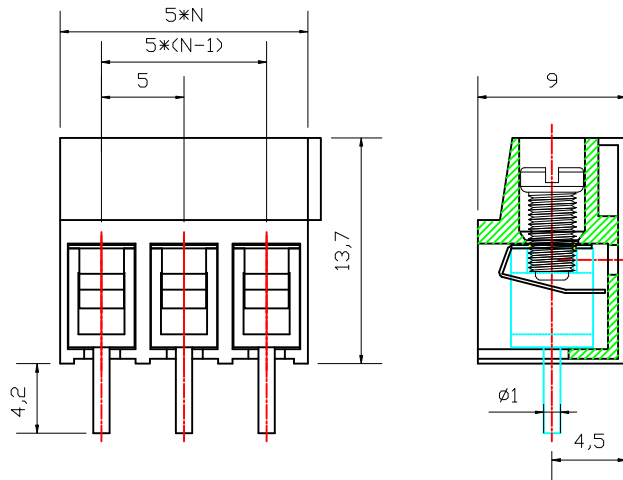
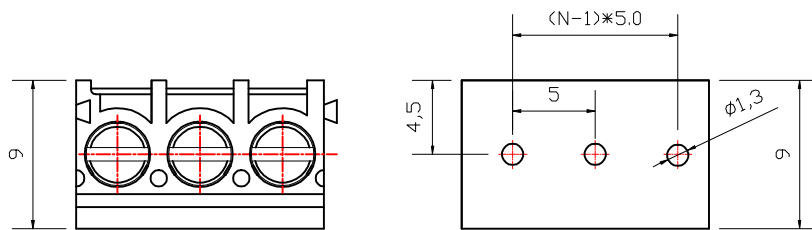
REV.	ECN NO.	DESCRIPTION	DATE	DESIGN

·材质及电镀(Material)
 螺丝(Screw):M3,铜,镀锌(steel, zinc Plated)
 弹片(Wire Protector):磷青铜,镀镍或不锈钢
 (Phosphor bronze, Ni plated or stainless steel)
 焊针(Pin header):黄铜,镀锡(Brass, Tin plated)
 壳体(Housing): PA66, UL94V-0

·电气性能(Electrical)
 额定电压(Rated Voltage): 300V
 额定电流(Rated Current): 12A
 接触电阻(Contact Resistance): 20mΩ
 绝缘电阻(Insulation Resistance): 5000MΩ/1000V
 耐电压(Withstanding Voltage): AC2000V/1Min
 使用线径(Wire Range): 22-12AWG 2.5mm²

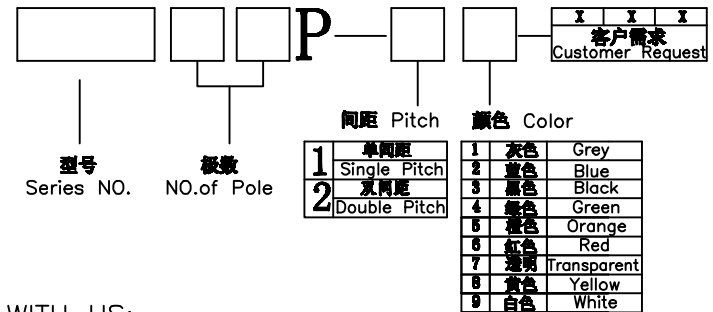
·机械性能(Mechanical)
 温度范围(Temperature Range): -30℃~+120℃
 瞬时温度(MAX Soldering): +250℃, 5秒(5 Seconds)
 扭矩(Torque): 0.4Nm(3.6lb.in)
 剥线长度(Strip length): 4.5-5mm

P.C.B.LAYOUT



N=No.of contacts

订购方式/HOW TO ORDER



CONTACT WITH US:
 TEL:+86-574-63505128 FAX:+86-574-63532183
 E-Mail:sales@nbmax.com.cn Website:www.nbmax.com.cn

公差一览表 TOLERANCE UNLESS OTHERWISE				宁波迈科思电子科技有限公司 NINGBO MKX ELECTRONIC TECHNOLOGY CO.,LTD					
X.	±0.25	X°.	±5°	单位 UNITS	mm	制图 DRAWING	陈冬梅	产品名称 TITLE	MX302-5.0
.X	±0.20	.X°	±2°	角法 VIEW		设计 DESIGN	顾兴伟	产品料号 PART NO.	MX302-5.0
.XX	±0.15	.XX°	±1°	比例 SCALE	1:1	审核 CHECK		图号 DRAW NO.	MX302-5.0-0A
.XXX	±0.02	.XXX°	±0.5°	日期 DATE	2012.07.10	版本 VER	A0	核准 APPD	