

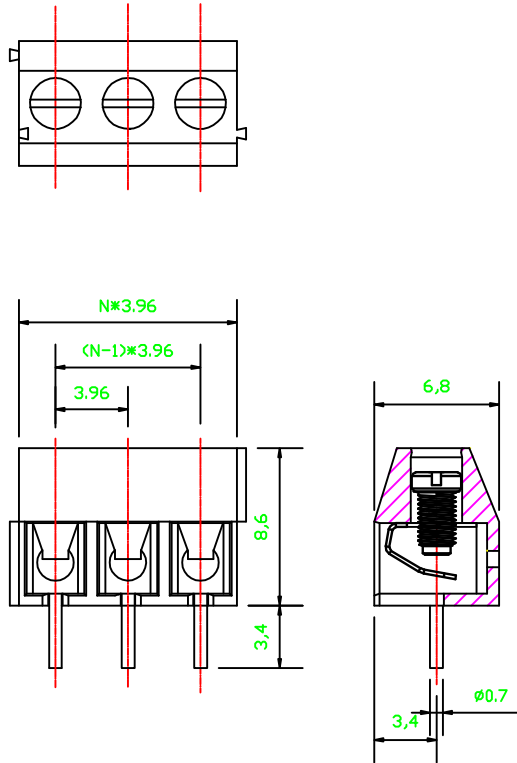
RoHS Compliant Customer Drawing

REV.	ECN NO.	DESCRIPTION	DATE	DESIGN

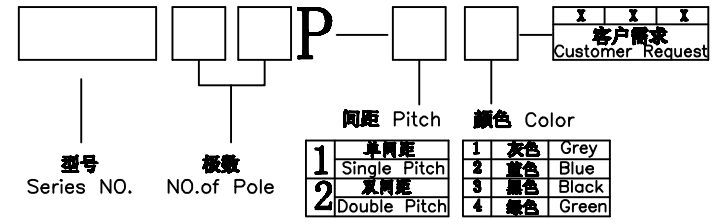
·材料及电镀 (Material)  
 基板 (Base): 312, 铜, 镀锌 (steel, zinc plated)  
 薄片 (Wire Protection): 磷青铜, 镀镍或不锈钢  
 (Phosphor bronze, Ni plated or stainless steel)  
 焊片 (Pin leader): 镀锡, 镀银 (Rosen, Tin plated)  
 零件 (Soldering): PA66, UL94V-0

·电气性能 (Electrical)  
 额定电压 (Rated Voltage): 300V  
 额定电流 (Rated Current): 10A  
 接触电阻 (Contact Resistance): 20mΩ  
 绝缘电阻 (Insulation Resistance): 500MΩ/1000V  
 耐电压 (Withstanding Voltage): AC1500V/1Min  
 使用线径 (Wire Range): 24-18AWG 1mm²

·机械性能 (Mechanical)  
 温度范围 (Temperature Range): -40℃~+105℃  
 焊接温度 (MAX Soldering): +250℃, 500S (Seconds)  
 拉力 (Tensile): 0.2N (1.77lb)  
 引脚长度 (Strip length): 4.5-6mm



订购方式/HOW TO ORDER



CONTACT WITH US:  
 TEL:+86-574-63505128 FAX:+86-574-63532183  
 E-Mail:sales@nbmax.com.cn Website:www.nbmax.com.cn

N=No.of contacts

公差一览表				宁波迈科思电子科技有限公司 NINGBO MIK ELECTRONIC TECHNOLOGY CO.,LTD			
TOLERANCE UNLESS OTHERWISE				单位	制图	陈冬梅	产品名称
X.	±0.25	X*	±5*	UNITS	mm	陈冬梅	MX396V-3.96
.X	±0.20	.X*	±2*	角法	第一角法	顾兴伟	图号
.XX	±0.15	.XX*	±1*	VIEW	DESIGN		MX396V-3.96
.XXX	±0.02	.XXX*	±0.5*	比例	1:1		图号
日期	2012.07.10	版本	A0	SCALE	APPD		图号
DATE		VER					MX396V-3.96-0A